

Telephone: +44 (0)1943 470574

Email: info@crux.uk.com

Crux® is a registered trademark of Outdoor Design Logistics Ltd.

Keptec® and Dynatec® are registered trademarks of Schoeller Textil AG.

Kelvar® and Cordura® are registered trademarks of DuPont.

Product development is an ongoing process. We reserve the right to change specifications quoted in this catalogue.

Catalogue designed and produced by Zinco Design Solutions.

Climbing photography by Ian Parnell.

Studio photography by Colin Cuthbert.

www.crux.uk.com

crux

Crux is a bold new player in the specialist climbing market. It advocates an uncompromising approach to the fundamentals: simple solutions, the best materials.



We have six products – four rucksacs and two tents. Each is an item of ruthless functionality and design excellence. Each is very tough and very light. Each establishes a new standard for climbing products. None, however, will escape our ongoing scrutiny for performance and durability.



**Unfettered by heritage or convention,
fundamental principles of good gear: minimalist design,**



**At Crux, it
remains our
ambition
to produce
the meanest
and quite
literally,
the leanest
climbing
products
you will
ever need.**

CRUX

Rucsacs

Real climbers like clean, simple and robust sacs. Crux rucsacs are stripped of all but the most essential features. Those retained have been engineered for ease-of-use; that is, easy to find, easy to grab and easy to operate.

Although trimmed of every excess gram, this has not been at the expense of durability. The Kevlar/ Cordura fabric is no lightweight ripstop, but a 200g/m² tightly-woven material with exceptional tear strength and abrasion resistance.

In pushing boundaries, climbers often sacrifice comfort for speed. Not at Crux. Our rucsacs combine their minimalist specification with ergonomic design, alloy frames* and a choice of back lengths** to ensure better stability and comfort when carrying full racks into big routes.

**except the frameless AK30*

*** AK47 and AK57 only*



AK30



A compact, frameless, rolltop sac for fast and light technical routes.

Specifications

Capacity	30 litres
Weight	700 grams
Fabric	PU-coated Keprotect (28% Kevlar / 72% Cordura)
Colour	Gunmetal
Sizes	One only

Features

Foldaway shoulder straps to convert into haulbag
Dyneema compression straps
Front and back haul loops
Removable 25mm webbing waistbelt
Two ice-axe holders
Wand pockets

AK37



A compact climbing sac for mountain and alpine routes.

Specifications

Capacity	37 litres
Weight	975 grams
Fabric	PU-coated Keprotect (28% Kevlar/72% Cordura)
Frame	2 x 7001-T6 alloy stays
Colour	Gunmetal
Sizes	One only

Features

Removable side compression straps
Oversized back haul loop
External and internal lid pockets
40mm webbing waistbelt with half-sized hipfins
4mm Rivory-Joanny drawcord
Two ice-axe holders
Wand pockets

AK47



The climbing sac for big serious mountain routes anywhere in the world.

Specifications

Capacity	47 litres
Weight	1175 grams
Fabric	PU-coated Keprotect (28% Kevlar/72% Cordura)
Frame	Full 7001-T6 alloy M-frame
Colour	Gunmetal, Red
Sizes	1,2,3

Features

Removable side compression straps
Oversized back haul loop
External and internal lid pockets
40mm webbing waistbelt with full-sized hipfins
4mm Rivory-Joanny drawcords
Two ice-axe holders
Wand pockets

AK57



A compact expedition sac for longer trips or use on less technical ground.

Specifications

Capacity	52 + 5 litres
Weight	1270 grams
Fabric	PU-coated Keprotect (28% Kevlar/72% Cordura)
Frame	Full 7001-T6 alloy M-frame
Colour	Gunmetal
Sizes	1,2,3

Features

Extendible, removable lid
Removable side compression straps
Oversized back haul loop
External and internal lid pockets
40mm webbing waistbelt with full-sized hipfins
4mm Rivory-Joanny drawcords
Two ice-axe holders
Wand pockets



Tents

Crux tents are first and foremost shelters, conceived to withstand the very worst conditions. They wrap the strongest lightweight fabrics around a solid pole configuration. The modified geodesic design moves from a generous volume and vestibule at one end to a rigid, aerodynamic shape at the other, striking an optimum balance between space and strength.

Not only do the Crux tents offer an exceptional amount of living space within a compact footprint, but they are also the lightest double-skin mountain tents available.

X2 Storm

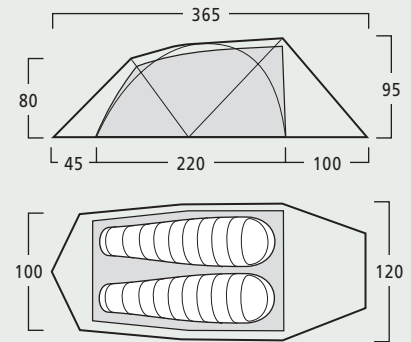
The X2 is a double-skin mountaineering tent for two people built for all climates and weather conditions.

Specifications

Weight	2850g
Colours	Red, Gold, Green
Flysheet	72g/m2 high tenacity ripstop nylon 6.6 7000mm silicon coating
Groundsheet	92g/m2 taffeta nylon 7000mm PU coating
Inner	35g/m2 high tenacity ripstop nylon
Poles	4 x 8.88mm Scandium 7X5X alloy
Guys	4 x 2m 1.75mm Dyneema
Pegs	12 6001-T6 alloy pegs

Features

- Internal rear storage vestibule
- Continuous pole-sleeves
- Single front door with mesh window
- Two internal mesh pockets
- Shock cord loop for headtorch
- Two front vents
- Rear vent
- Foam flysheet spacers



X2 Bomb

The X2 Bomb has the same basic dimensions as the Storm, but with an extended vestibule, extended inner, heavier weight groundsheet, and larger diameter poles.

Specifications

Weight	3500g
Colours	Red, Gold, Green
Flysheet	72g/m2 high tenacity ripstop nylon 6.6 7000mm silicon coating
Groundsheet	119g/m2 taffeta nylon 8000mm PU coating
Inner	35g/m2 high tenacity ripstop nylon
Poles	5 x 9.40mm Scandium 7X5X alloy
Guys	6 x 2m 1.75mm Dyneema
Pegs	16 6001-T6 alloy pegs

Features

- Extended vestibule with door each side
- Continuous pole-sleeves
- Single front door with mesh window
- Two internal mesh pockets
- Shock cord loop for headtorch
- Two front vents
- Rear vent
- Foam flysheet spacers

